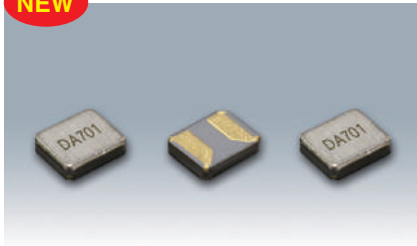


SMD Tuning Fork Crystal Resonators / kHz Band Crystal Resonators

DST1210A

NEW



DST1210A

Actual size □

■ Features

- 1210 size ultra miniature SMD tuning fork crystal resonator with a low profile of 0.35mm max.
- A ceramic package with a metal lid providing high precision and reliability.
- Suitable for mobile communications and consumer devices.



■ Applications

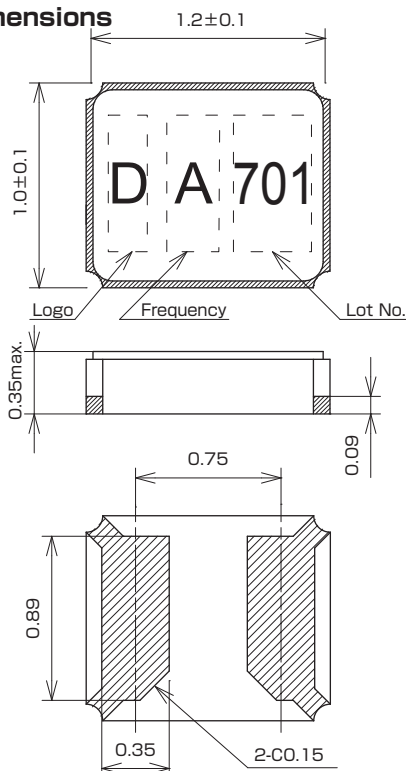
- Mobile communications and consumer devices, etc.
- Smart card and Wearable devices

■ Standard Specification

Item	Type	DST1210A
Frequency Range		32.768kHz
Load Capacitance		7pF, 9pF, 12.5pF
Drive Level		0.1 μW (0.2 μW max.)
Frequency Tolerance		±20×10 ⁻⁶ (at 25°C)
Series Resistance		90kΩ max.
Turnover Temperature		+25°C±5°C
Parabolic Coefficient		-0.04×10 ⁻⁶ /°C ² max.
Operating Temperature Range		-40 ~ +85°C
Storage Temperature Range		-40 ~ +85°C
Shunt Capacitance		1.1 pF typ.
Packing Unit		3,000pcs/reel (φ 180)

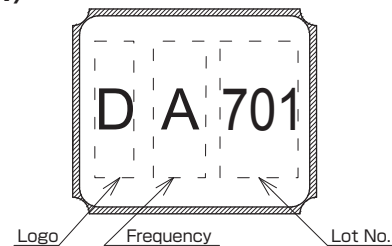
Consult our sales representative for other specifications.
[mm]

■ Dimensions



■ Internal Connections

<Top View>



■ Recommended Land Pattern

<Top View>

